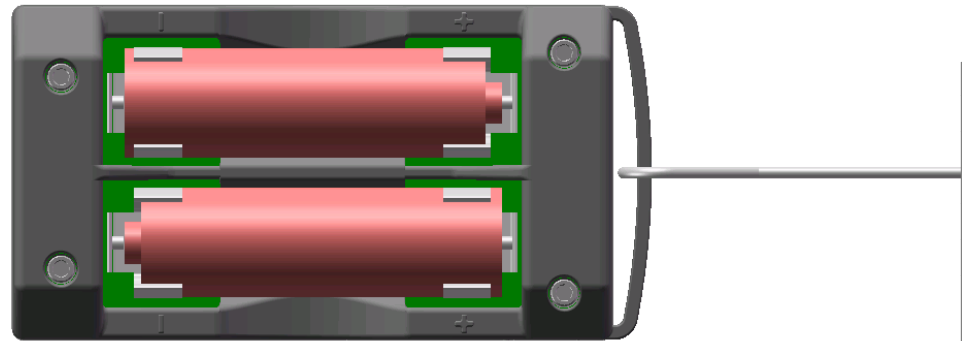
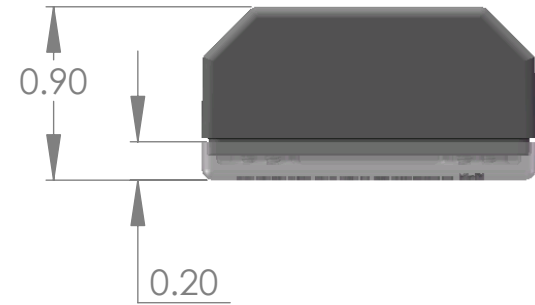
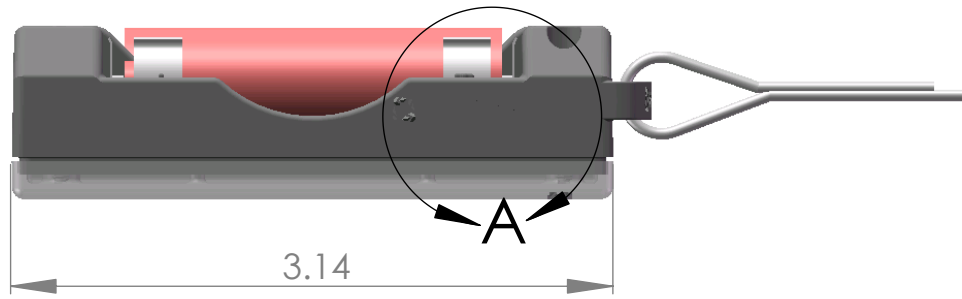
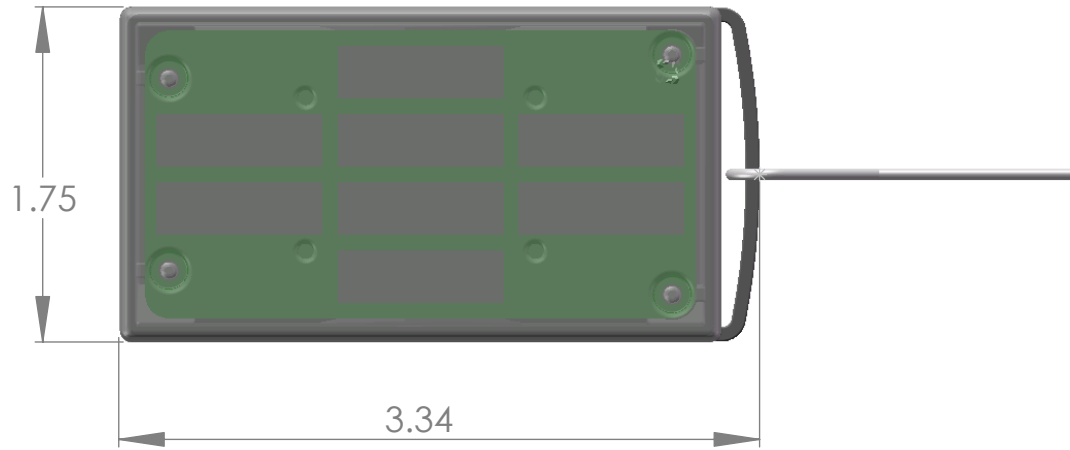
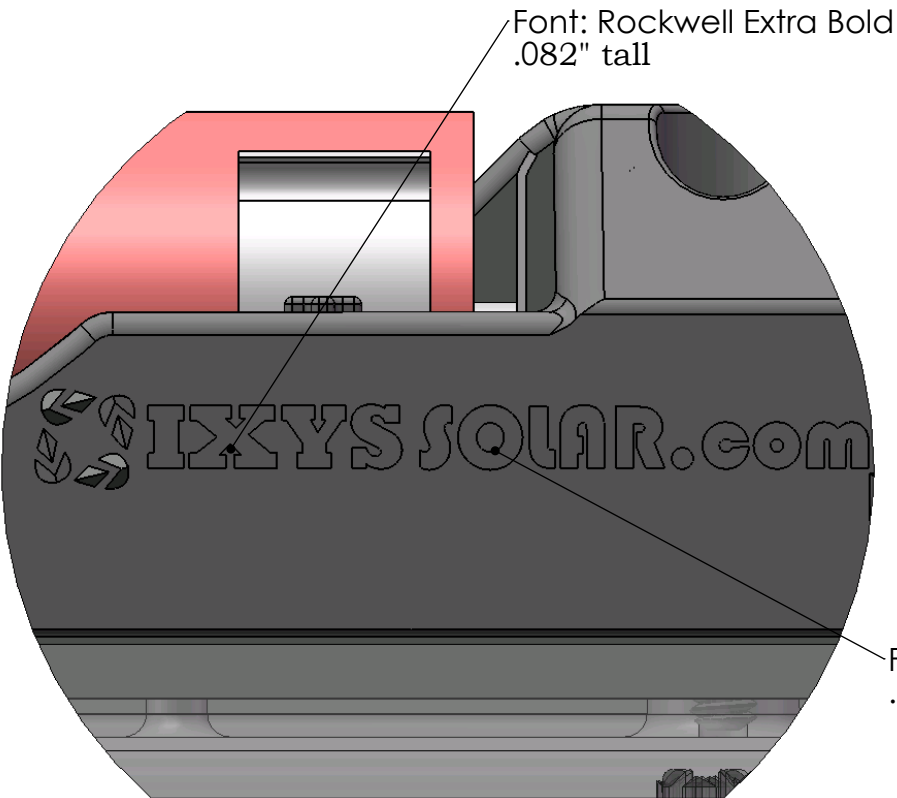


<b>IXYS Solar</b>		
<b>Solar Charger Board</b>		
R. Schmid	Rev. 5	Page 1 of 1
	10/08/2008	



	NAME	DATE	DIRECTED ENERGY-IXSYS SOLAR	
DRAWN	D.Keyser	9/5/08	TITLE:	
CHECKED			Battery Charger with Logo Assy	
ENG APPR.				
MFG APPR.				
Q.A.				
COMMENTS:			SIZE	DWG. NO.
			<b>A</b>	REV
	SCALE: 1:1	WEIGHT:	SHEET 1 OF 2	



Font: Bauhaus 93  
.08" tall



DETAIL A  
SCALE 4 : 1  
Logo, 3 Places

	NAME	DATE	DIRECTED ENERGY-IXSYS SOLAR	
DRAWN	D.Keyser	8/29/08	TITLE:	
CHECKED			Battery Charger with Logo Assy	
ENG APPR.				
MFG APPR.				
Q.A.				
COMMENTS:			SIZE	DWG. NO.
			<b>A</b>	REV
			SCALE: 1:1	WEIGHT:
			SHEET 2 OF 2	